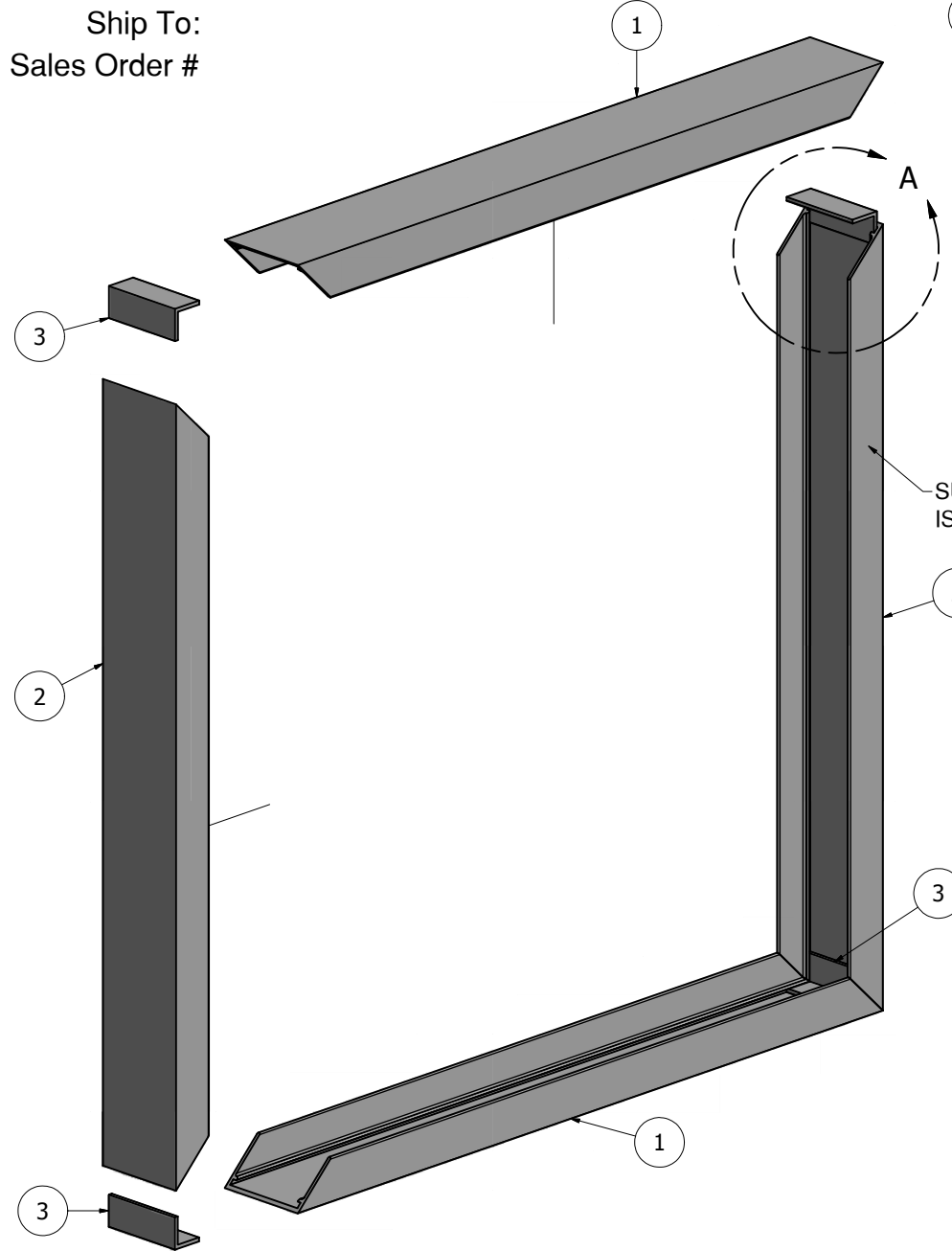
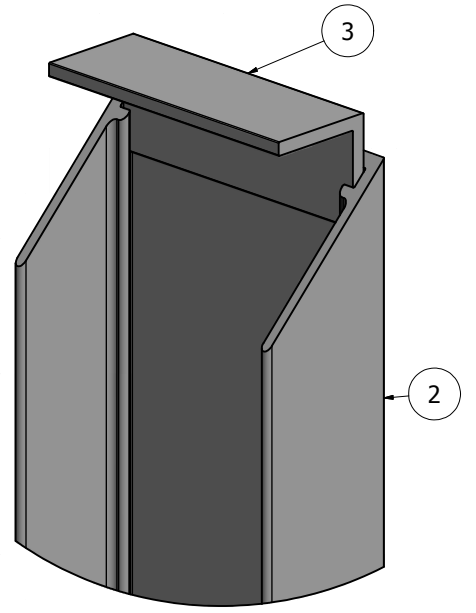
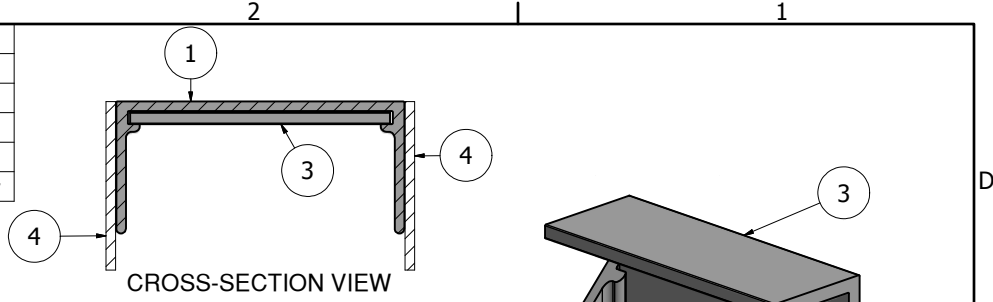


PARTS LIST			
ITEM	PART#	DESCRIPTION	NOTES
1	1275	Series 3 Frameless Body	Top & Bottom
2	1275	Series 3 Frameless Body	Sides
3	5337	Series 3 Frameless Body Corner Angle	
4		Aluminum Face	Routers off Flush to the Body - By Other

Ship To:
Sales Order #



NOTE: THE BODY ANGLES ARE DESIGNED TO BE BONDED OR WELDED TO THE BODY.

NOTE: PRE-CUT KITS ARE NOT PRE-DRILLED.
(Holes shown in this drawing are for reference only. Drilling of pilot holes are to be done by fabricator.)

DRAWING BY: SBreihof		4/11/2013		SignComp
Centroid X: 0.000 in		Centroid Y: 0.000 in		
Principal Moments Ix: 0.000 in ⁴		Principal Moments Iy: 0.000 in ⁴		Series 3 Frameless Body
Section Modulus Ix: 0.000 in ³		Section Modulus Iy: 0.000 in ³		
PART NO			1275	
SHEET 1 OF 1			REV	